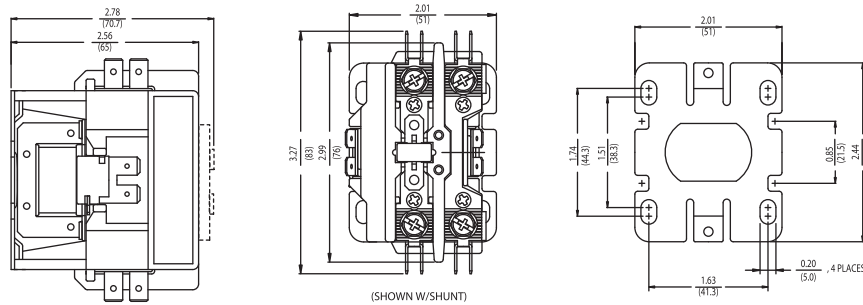


Definite Purpose Controls Full Voltage Contactors

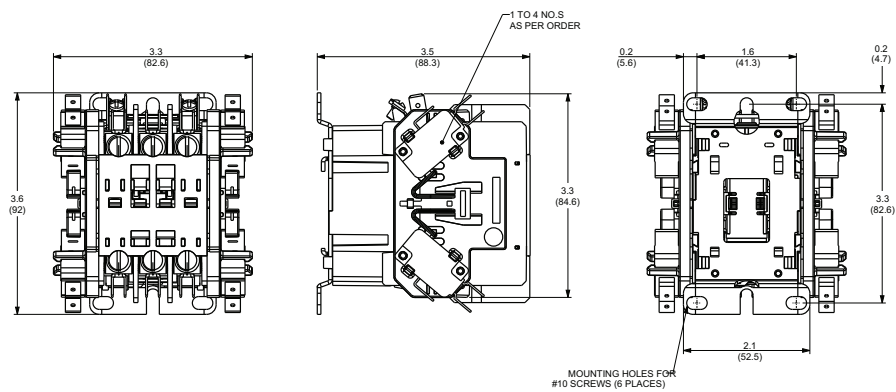
CR453C, CR553

Outlines and Dimensions in./(mm) (For Estimating Only)
20A-150A

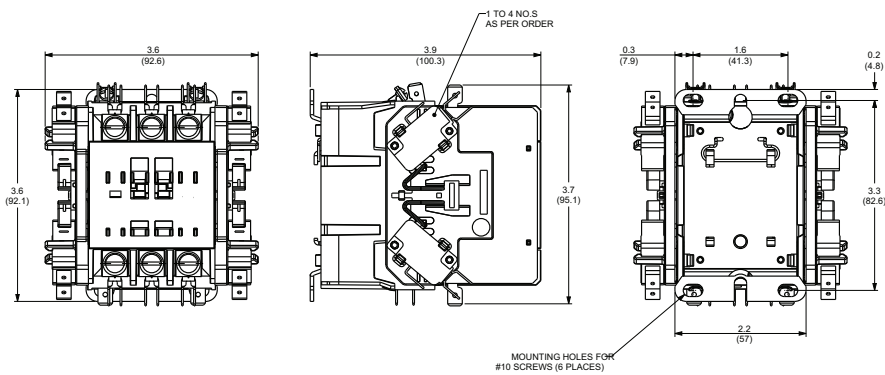
Section 4



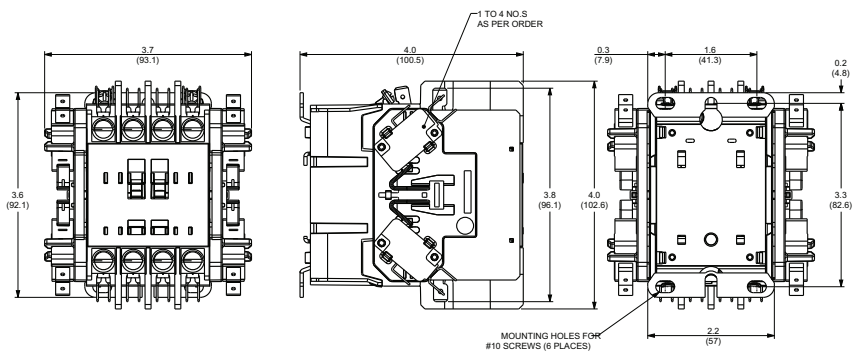
CR453C



CR553AB3/CR553AC3 + 250V Aux. Contacts



CR553AD3 + 250V Aux. Contacts



CR553AB4/CR553AC4/CR553AD4 + 250V Aux. Contacts

